

## Big Eye

A CC Rectangular Barion. By Jón Olaf Svane, Aarhus, Denmark, 23/3 2004

Angles for R.I. = 1.540

83 + 8 girdles = 91 facets

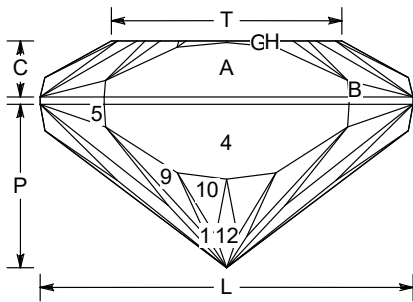
2-fold, mirror-image symmetry

120 index

L/W = 1.799 T/W = 1.111 U/W = 0.853

P/W = 0.788 C/W = 0.270

Vol./W<sup>3</sup> = 0.930



### PAVILION

1	90.00°	120-060	Establish length
2	90.00°	030-090	Establish L/W
3	90.00°	013-047-073-107	Cut that 2 and 3 is equal width
4	79.79°	120-060	Cut to establish girdleline
5	79.79°	013-047-073-107	Meet 1-3-4
6	79.79°	030-090	Meet 2-3-5
7	41.40°	020-040-080-100	Meet 6-2-3-5 forming TCI
8	42.34°	018-042-078-102	Meet 6-2-3-5 and TCP
9	43.22°	012-048-072-108	Meet 4-5-8 and TCP
10	45.20°	002-058-062-118	Meet TCP to bisect edge of 4.
11	42.90°	006-054-066-114	Meet 9-4-11 forming PCP
12	44.47°	120-060	Meet PCP and 10-4-10
13	42.06°	015-045-075-105	Meet PCP and 8-5-4-9
14	41.52°	019-041-079-101	Meet PCP and 6-2-3-5
15	40.23°	021-039-081-099	Meet PCP and 7-6-7

### CROWN

A	76.62°	120-060	Establish Girdlethickness
B	76.62°	013-047-073-107	Even up girdle
C	76.62°	030-090	Finish even girdle
D	32.80°	020-040-080-100	Meet C-2-3-B
E	33.67°	018-042-078-102	Meet C-2-3-B
F	34.48°	012-048-072-108	Meet E-B-A
G	36.36°	002-058-062-118	Bisect edge of A
H	32.00°	006-054-066-114	Meet F-A-G
I	33.00°	015-045-075-105	Meet E-B-A-F
J	32.91°	019-041-079-101	Meet D-C-B-E
K	31.74°	021-039-081-099	Meet D-C-D
T	0.00°	Table	Table to meet L-D-K